



GEAR MOTOR FOR MILK TANK

RECOMMENDED FOR VERY SMALL CAPACITY MILK TANKS : FROM 250 TO 850 LITERS

SMALL AND COMPACT

OUTPUT SHAFT ACCORDING TO THE SPECIFICATIONS OF YOUR AGITATION BLADE (LENGTH & DIAMETER)

APPLICATION :

MOTORIZATION OF THE MILK AGITATION BLADE

TECHNICAL FEATURES :

4 MOUNTINGS AVAILABLE :
SEE DRAWING

2 POLE MOTOR

CLASS F INSULATION

IP44 PROTECTION

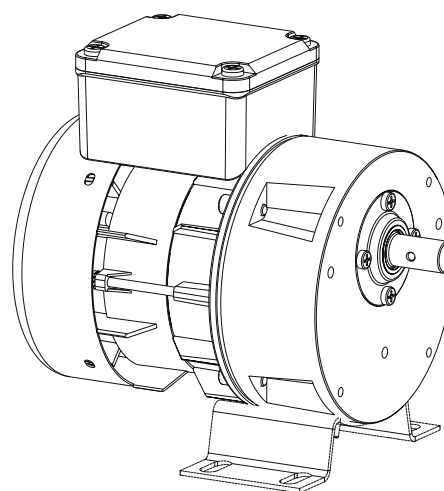
SINGLE PHASE MOTOR WITH PERMANENT CAPACITOR

PERMANENTLY LUBRICATED

2 DIRECTIONS OF ROTATION

THERMAL CUT-OUT

TERMINAL BOX : 4 POSITIONS



Technical features	Speed N2 RPM	Reduction ratio N2/N1	Rated moment m.daN	Maximum load on slowshaft (1)		Kg
				Radial daN	Axial daN	
R1C 225 FB	21	1/127	1.14	77	49	2,7
	30	1/90	0.81	69	40	
	40	1/69	0.62	64	36	
	48	1/57	0.51	61	33	

(1) Applied in the middle of the shaft end

Motor features	Single phase with capacitor 230 V-50 Hz	Output power W	Rated moment cm.N	Speed n1 RPM	Rated current 230 V - A	IA / IN	Cd / Cn	Cos
1C 225	•	38	1,4	2700	0,47	1.67	1.41	0,99

